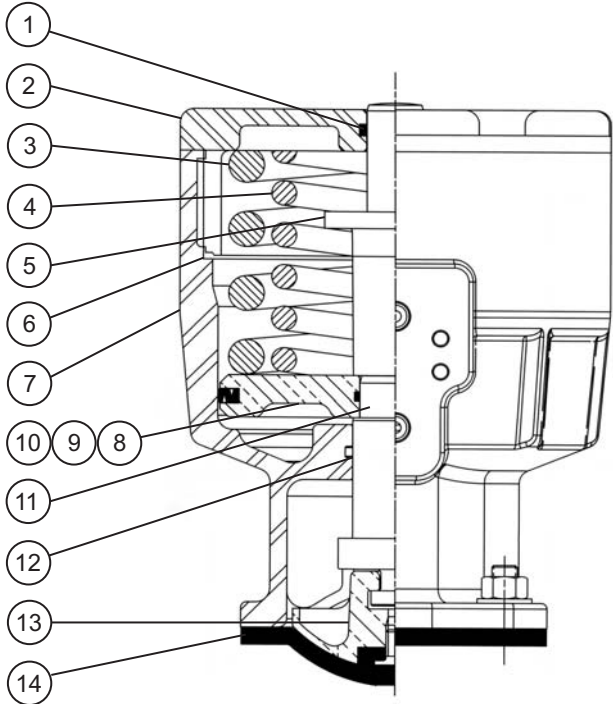


## Stainless Steel Compact (SSC) Actuators – Materials of Construction

### HC4 Diaphragm Valves

HC4/121/01/06.04



Item	Component	Spring Close
1	Indicator seal	Viton
2	Cap	Stainless steel
3	Outer spring	Steel (SC and SO)
4	Inner spring	Steel (SC and SO)
5	Indicator	IXEF
6	Bonnet/Cap o ring	Nitrile
7	Bonnet	Stainless steel
8	Piston outer ring	Fluoroelastomer
9	Piston inner ring	Nitrile
10	Piston	PES (DN8-25) / IXEF (DN40-50)
11	Spindle	PES
12	Spindle seal	Fluoroelastomer
13	Compressor	Stainless steel
14	Line diaphragm	Rubber/PTFE with rubber backing

Crane Process Flow Technologies  
 Saunders HC4 Products  
 9860 Johnson Road  
 Montgomery, Texas 77316  
 www.cranesaunders.com  
 PH 936-588-4447  
 Fax 936-588-8302

