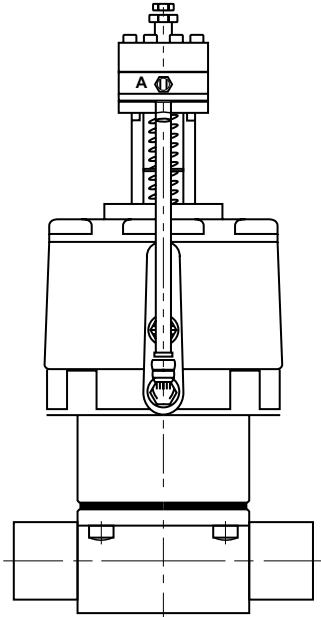


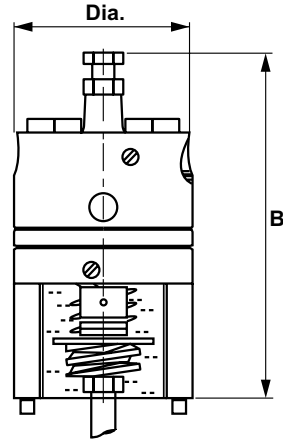
Mini Pneumatic Positioner

HC4 Diaphragm Valves

HC4/130/01/06.04



Mini pneumatic positioner mounted on an EC actuator



Mini pneumatic positioner with feedback spring and position indicator

	Diameter in (mm)	B in (mm)
0.25"-1.00"(DN8-25)	2.36 (60)	4.84 (123)
1.50"-2.00"(DN40-50)	3.15 (80)	5.63 (143)

Technical Specification

Suitable for	EC spring close actuators standard and light spring	Hysteresis	1.5%
Size Range	Type A & HC4: 0.25"-2.00"(DN8-DN50)	Sensitivity of response	0.15%
Type	Pneumatic	Air Consumption	400-600 l/hr depending on output pressure
Control Signal	3-15 psi (0.2-1 bar)	IP rating	IP54
Air Connections	1/8" BSP 1/8" NPT	Temperature Range	-14°F to 140°F (-10°C to +60°C)
Supply Pressure	43.5-87 psi (3-6 bar)	Material of Construction	Chrome plated brass
Add-ons	Inductive proximity sensors	Weight	2.2lbs (1.0kg)

Crane Process Flow Technologies
 Saunders HC4 Products
 9860 Johnson Road
 Montgomery, Texas 77316
 www.cranesaunders.com
 PH 936-588-4447
 Fax 936-588-8302

CRANE 