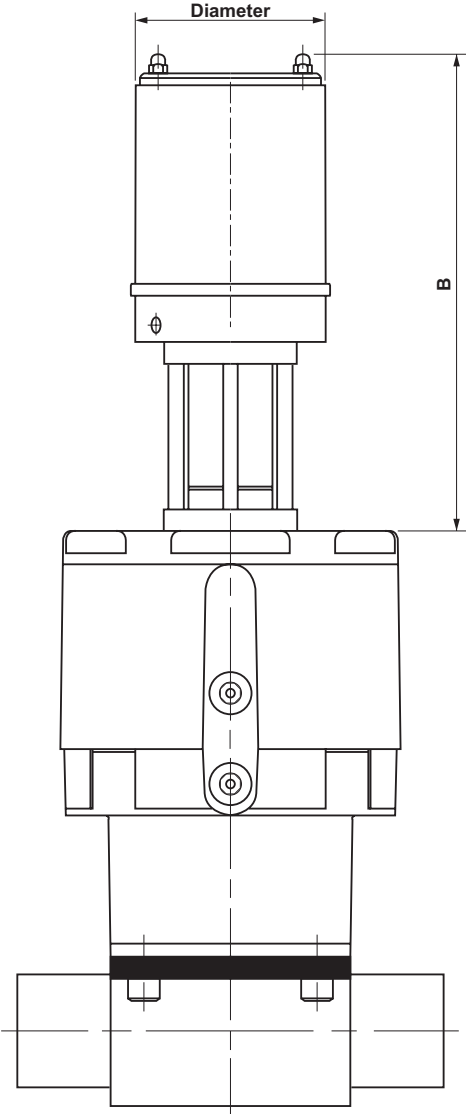


Mini Digital Positioner

HC4 Diaphragm Valves

HC4/134/01/06.04

Technical Specification	
Suitable for	EC spring close actuators EC spring open actuators
Size range	Type A & AFP: 0.25"-2.00" (DN8-50)
Type	Electropneumatic (Digital)
Power supply	24V DC
Control signal	4-20mA 0-10V (split range option)
Supply pressure	58-87 psi (4-6 bar)
Air connections	1/8" BSP
Conduit entry	PG7 gland
Hysteresis	<1%
Sensitivity of response	0.5%
IP rating	IP65
Temperature range	14°F-176°F (-10 °C to 80 °C)
Weight	2.6 lb (1.2 kg)



Valve Size	Diameter	B
0.25"-1.00" (DN8-DN25)	3.46 (88)	7.36 (187)
1.50"-2.00" (DN40-DN50)	3.46 (88)	8.15 (207)

Crane Process Flow Technologies
 Saunders HC4 Products
 9860 Johnson Road
 Montgomery, Texas 77316
 www.cranesaunders.com
 PH 936-588-4447
 Fax 936-588-8302

